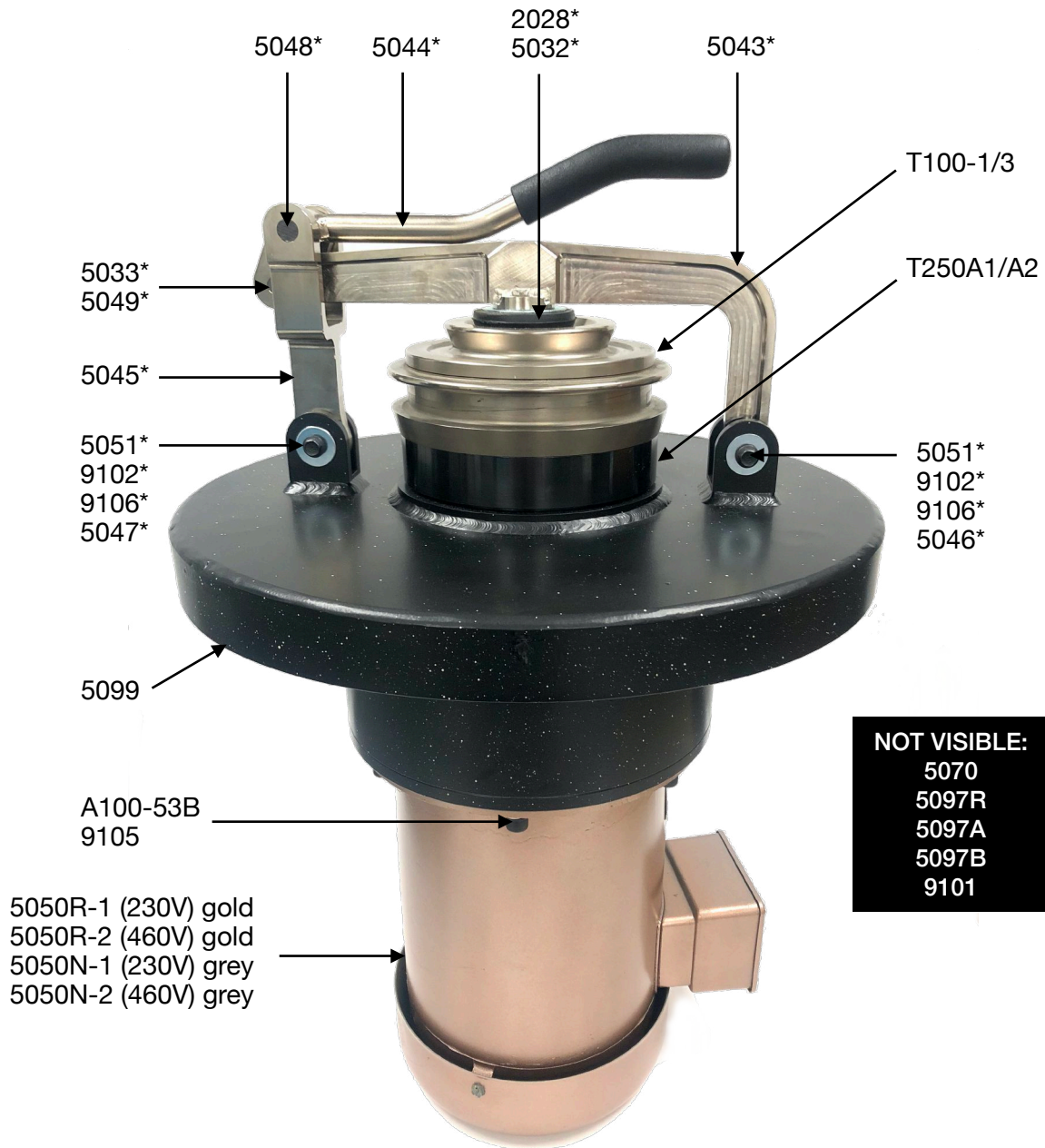
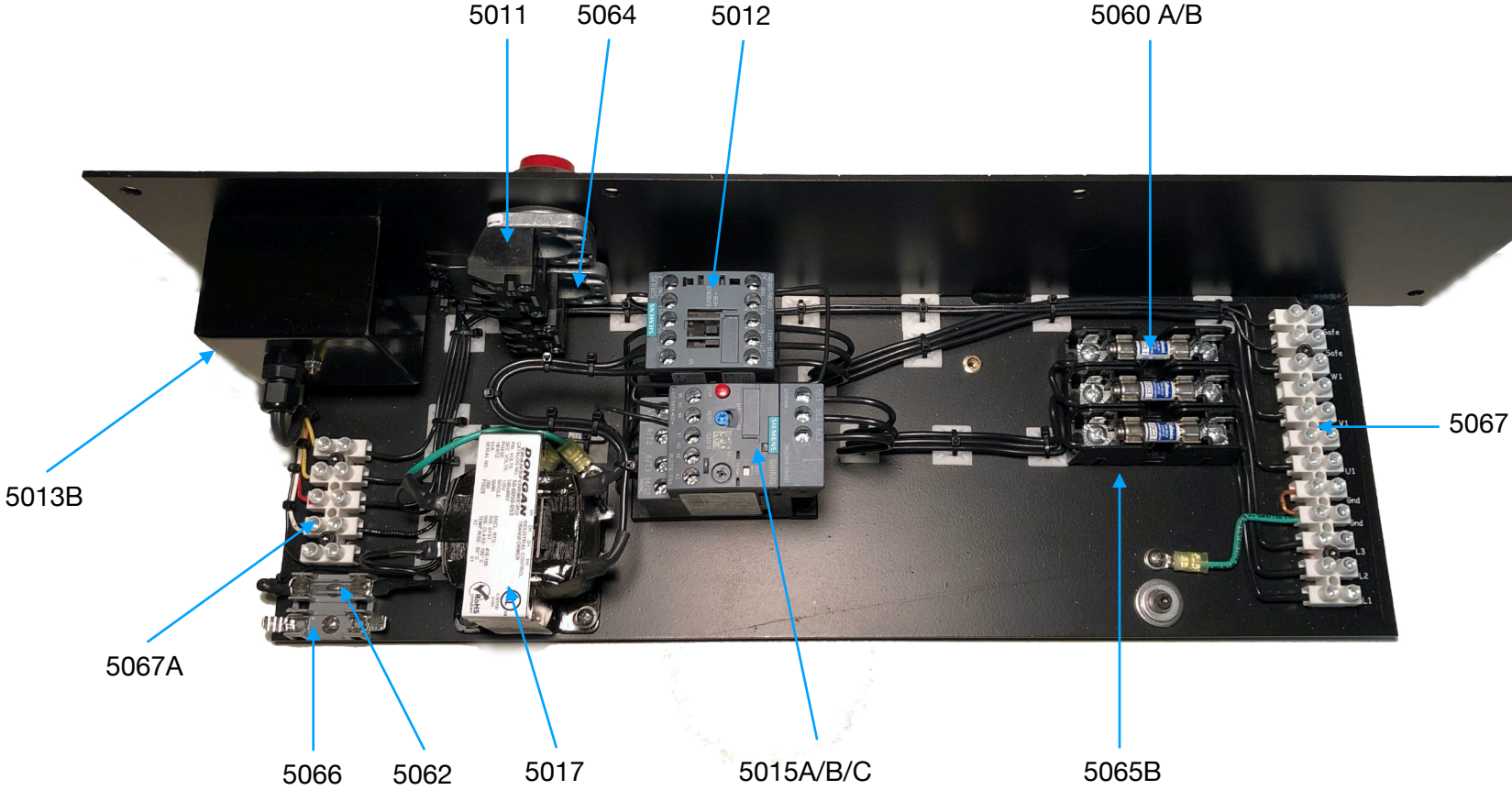


ANGSTROM TE250 BASE PLATE, MOTOR & COUNTERWEIGHT ASSEMBLY



ALSO AVAILABLE:
9050 Complete Scissors Clamp Asy.
Ships assembled and includes all parts with (*)

ANGSTROM TE250 CONTROL PANEL ASSEMBLY



NOTES:
5015A/5060A for 460V
5015B/5060B for 230V

MODEL TE250 RING PULVERIZER REPAIR PARTS

| PART No. | DESCRIPTION | QTY USED |
|-----------------|--|-----------------|
| 1003 | Rubber buffer | 4 |
| 1009 | Helical spring | 6 |
| 2028 | Thrust piece | 1 |
| 5011 | Start switch assembly | 1 |
| 5012 | Magnetic contactor | 1 |
| 5013 | Analog timer w/levers (round) | [1] |
| 5013A | Digital timer w/knobs (square) | [1] |
| 5013B | Digital timer, multi-program (square) | [1] |
| 5015A | Overload relay, 440-575V (requires 5015C) | [1] |
| 5015B | Overload relay, 208-230V (requires 5015C) | [1] |
| 5015C | Relay support | 1 |
| 5017 | Transformer | 1 |
| 5032 | Spacer, thrust piece | 6 |
| 5033 | Needle bearing | 1 |
| 5043 | Hoop | 1 |
| 5044 | Lever | 1 |
| 5045 | Fork | 1 |
| 5046 | Pin, hoop | 1 |
| 5047 | Pin, fork | 1 |
| 5048 | Pin, lever | 1 |
| 5049 | Pin, needle bearing | 1 |
| 5050R-1 | Motor, 230V 60 Hz 3-phase (gold motor replacement) | [1] |
| 5050R-2 | Motor, 460V 60 Hz 3-phase (gold motor replacement) | [1] |
| 5050R-4 | Motor, 575V 60 Hz 3-phase (gold motor replacement) | [1] |
| 5050N-1 | Motor, 230V 60 Hz 3-phase (grey motor replacement) | [1] |
| 5050N-2 | Motor, 460V 60 Hz 3-phase (grey motor replacement) | [1] |
| 5050N-3 | Motor, 575V 60 Hz 3-phase (grey motor replacement) | [1] |
| 5051 | Washer | 4 |
| 5053 | Proximity sensor | 1 |
| 5054 | Magnetic block | 1 |
| 5060A | Fuse, 3A (460V Class CC) | [3] |
| 5060B | Fuse, 5A (230V Class CC) | [3] |
| 5060 | Fuse, 3A (460V Class RK5) | [3] |
| 5060-1 | Fuse, 5A (230V Class RK5) | [3] |
| 5062 | Fuse, 1/4A | 1 |
| 5064 | Stop switch assembly | 1 |
| 5065 | Fuse block (class RK5 fuses) | [1] |
| 5065B | Fuse block (class CC fuses) | [1] |
| 5066 | Fuse block, 2-pole | 1 |
| 5067 | Terminal block, 12 position | [1] |
| 5067A | Terminal block, 5 position | [1] |
| 5068 | Microswitch | 1 |

MODEL TE250 RING PULVERIZER REPAIR PARTS

| PART No. | DESCRIPTION | QTY USED |
|-----------------|--|-----------------|
| 5070 | Rubber pad | 1 |
| 5097 | Eccentric weight (used with grey motors) | [1] |
| 5097R | Eccentric weight (used with gold motors) | [1] |
| 5097A | Washer, eccentric weight | 1 |
| 5097B | Bolt, eccentric weight | 1 |
| 5099 | Base plate | 1 |
| 5100 | Shock absorber, 20# | [2] |
| 5101 | Shock absorber, 30# | [2] |
| 6110-1 | Timer control panel assembly, 208-230V motor | [1] |
| 6110-2 | Timer control panel assembly, 440-460V motor | [1] |
| 9050 | Scissors clamp assembly | 1 |
| 9101 | Roll pin | 2 |
| 9102 | Bolt, 6mm | 4 |
| 9106 | Lock washer | 4 |